



# Assembly and operating instructions

## LiON Box S charging station for e-bikes and e-scooters

LiON Box S with plugged charging cable (LiON Splitter)

### Note



Read the operating instructions carefully before use and keep them in a safe place!  
Failure to observe the safety information and instructions may result in electric shock, fire and/or serious injury.

Pass the operating instructions to the next user!

## 1. Manufacturer

ONgineer GmbH · Hindenburgring 9a · 32339 Espelkamp, Deutschland · [www.ONgineer.de](http://www.ONgineer.de)

## 2. Introduction

These assembly instructions are part of the delivery. Read these instructions carefully before installation and keep them in a safe place. This document contains important information on correct installation, connection, operation and maintenance. If you have any questions, please contact the manufacturer. These installation instructions are also available at [www.ONgineer.de](http://www.ONgineer.de).

The manufacturer is not liable for damage caused by:

- Incorrect assembly or incorrect operation
- Modifications to the product
- Damage to the product
- Use outside these installation instructions

Observe the safety instructions!

## 3. Safety instructions

The safety instructions attached to the LiON Box S must be observed.

The operator is responsible for correct installation, operation and maintenance.



In the event of visible damage, the charging station must be taken out of operation and repaired by the manufacturer.

A disconnecting device must be provided in the electrical installation.

The LiON Box S may only be operated in electrical installations with an RCD that complies with national and international regulations.

## 4. Proper use and installation

The LiON Box S is suitable for connecting and charging various e-bike and e-scooter systems. Compatibility varies depending on the equipment variant.

The LiON Box S should be installed away from direct precipitation.



Caution: Only connect one battery per splitter!

Caution: Risk of injury!

Damaged or incorrectly installed components can pose a risk to users.

The following must be observed when selecting the installation location:

- Only mount the LiON Box S vertically (e.g. walls).
- The mounting surface must be level and sufficiently stable
- The LiON Box S should be sufficiently illuminated during operation.
- Ensure that there is at least 25 cm of free space around your LiON Box S.  
This also applies to any vegetation.

The LiON Box S should **not** be installed here:

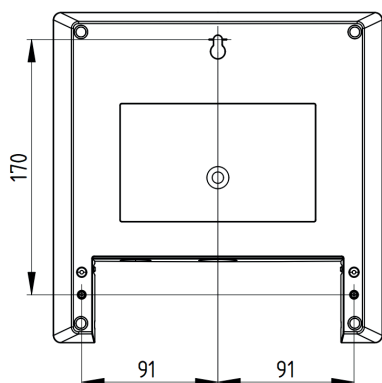
- In a permanently wet environment
- In the vicinity of flammable materials
- In potentially explosive atmospheres
- In the vicinity of aggressive vapours
- In places with permanent vibration
- In places with permanent exposure to sunlight

*Preferably install the LiON Box S indoors or in a protected outdoor area!*

The function and service life of the LiON Box Max can be impaired by an incorrect choice of location.

To attach the charging station, you will need

- 3 suitable screws (max. diameter 4.5 mm, max. screw head 8 mm)
- 3 suitable dowels



- Mark the positions of the fixing points on the fixing surface using the drilling template
- Drill the holes for the fixing points to match your wall plugs.
- Take care not to damage any cables, pipes etc. when drilling
- Insert the plugs into the holes
- Screw the screw intended for the top hole into the plug until it only protrudes 7 mm
- Remove the bottom panel by loosening the two metric screws on the underside and hang the LiON Box S in place
- Screw the LiON Box S to the two fixing points
- Now screw the cover back on with the screws, making sure that the cover is in the correct position

## 5. Electrical connection

Connect your LiON Box S to an earthed socket using the pre-installed mains connection cable. The mains connection cable should be laid in such a way that there is no risk of tripping. Your LiON Box S is now ready for operation.

## 6. Connecting and disconnecting the splitter

To connect the LiON splitter, plug the splitter into the corresponding socket on the ONgineer charging station. When plugging it in, make sure that the black locking pin engages in the recess provided in the socket. The clearly audible „click“ confirms that the plug is correctly locked. The LiON Splitter is now secured against unauthorised removal and is therefore ready for use.



Removal is not possible without tools. You will need a release tool, e.g. a screwdriver. Use the screwdriver to press into the opening on the side of the plug. The plug can now be released by pulling gently on the plug housing. Once the plug has been pulled out correctly, the black locking pin remains in the socket housing of the ONgineer charging station and ensures that it locks again when the plug is reinserted. If another plug with a locking pin is to be plugged in, it must first be removed using a screwdriver.

LED display on the LiON splitter

LED-Codes	Green	Red	Red and green
Information	Ready to charge / battery is charged	Battery is charging	Error indication

## 7. Technical Data

Mains voltage	[V]	220 ... 240	Operating temperature	[°C]	-5 ... +40
Mains frequency	[Hz]	50-60	Standby power (pro DC-Ladepunkt)	[W]	< 1
Max. Input current	[A]	0,78	Height*	[mm]	220
Number of charging points	[PCS]	1	Width*	[mm]	220
Max. charging current	[A]	4	Depth*	[mm]	50,5
System charging voltage	[V DC]	36	Weight*	[kg]	1,75
End-of-charge voltage	[V DC]	42	Service life	[h]	20.000
Efficiency	[%]	94	Protection class Housing		IP65
Ambient temperature	[°C]	-25 ... +40			

\* Excl. cable holder and plug connections

## 8. Cleaning



Caution!

Incorrect cleaning agents can damage the LiON Box S.

The plug and charging box may only be cleaned with a soft, dry cloth.

## 9. Maintenance

Before each start-up, check that all cables and plugs are undamaged. The plugs must be kept free of coarse dirt and persistent moisture. Only use soft, dry cloths for this purpose. Do not use cleaning agents of any kind, as these can impair the function of the LiON Splitter. To maintain the function, the plugs must be treated regularly with a contact care product.

## 10. Troubleshooting

The battery is not charging.	→ → →	Disconnect the ONgineer charging station from the mains for at least 10 seconds.
The battery is not charging.	→ → →	Check that the charging plug is firmly seated.
The battery is not charging.	→ → →	Check compatibility.

## 11. Scope of delivery

1. LiON Box S
2. LiON Splitter
3. Splitter holder
4. Installation and operating instructions with drilling template

## 12. Guarantee and Warranty

Private customers: The legal warranty applies to this product.

Commercial customers: The LiON Box S (Box without LiON Splitter) is covered by a 2-year guarantee (optional: guarantee extension to 5 years) and a 6-month warranty on the related LiON Splitter.

The guarantee and warranty apply throughout the EU.

The legal warranty applies to this product. In the event of a defect, please contact the manufacturer (ONgineer GmbH) directly.

To make a warranty claim, please submit a copy of the invoice and provide a brief description of the fault.

## 13. Disposal

The packaging material should be disposed of in accordance with local regulations.

If the product is to be decommissioned permanently, please contact your local recycling centre for information on disposal regulations.



For EU countries only: In accordance with the European Directive 2012/19 EU on waste electrical and electronic equipment and its transposition into national law, chargers that are no longer fit for use must be collected separately and recycled in an environmentally sound manner.

## 14. Declaration of Conformity



Information on the EU Declaration of Conformity can be found in our download area at [www.ONgineer.de](http://www.ONgineer.de)

15. Drilling template

